

# Oarlock pin meter

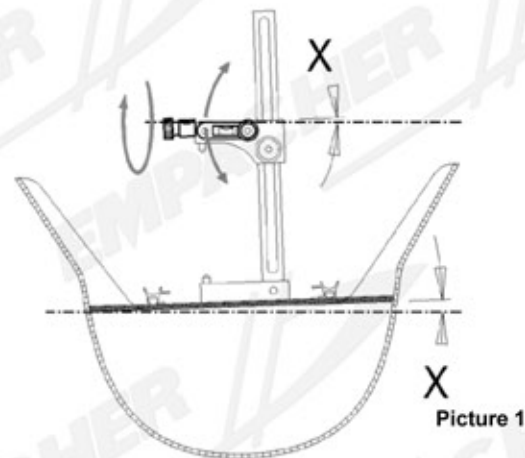
Art.-Nr.:90550

## Short instruction for S-rigger:

### 1) Calibrate oarlock pin meter

Fix the boat on slidedeck and then calibrate the measuring instrument in longitudinal and lateral direction.

(See picture 1)



### 2) Aligning of oarlock pin

By loosening of fixing bolt of half shell the angle of pin can be varied in longitudinal and lateral direction to the boat. Now put oarlock pin meter on pin and half shell can be fixed as needed.

(See picture 2)

